

# CHOGORI



## E-BIKE

CONNECTION SOLUTIONS



Orders Centre



Production Line



Machine



Storage



44,000 m<sup>2</sup>



1,000+ Members



3 Facilities  
Dongguan & Shenzhen & Thailand



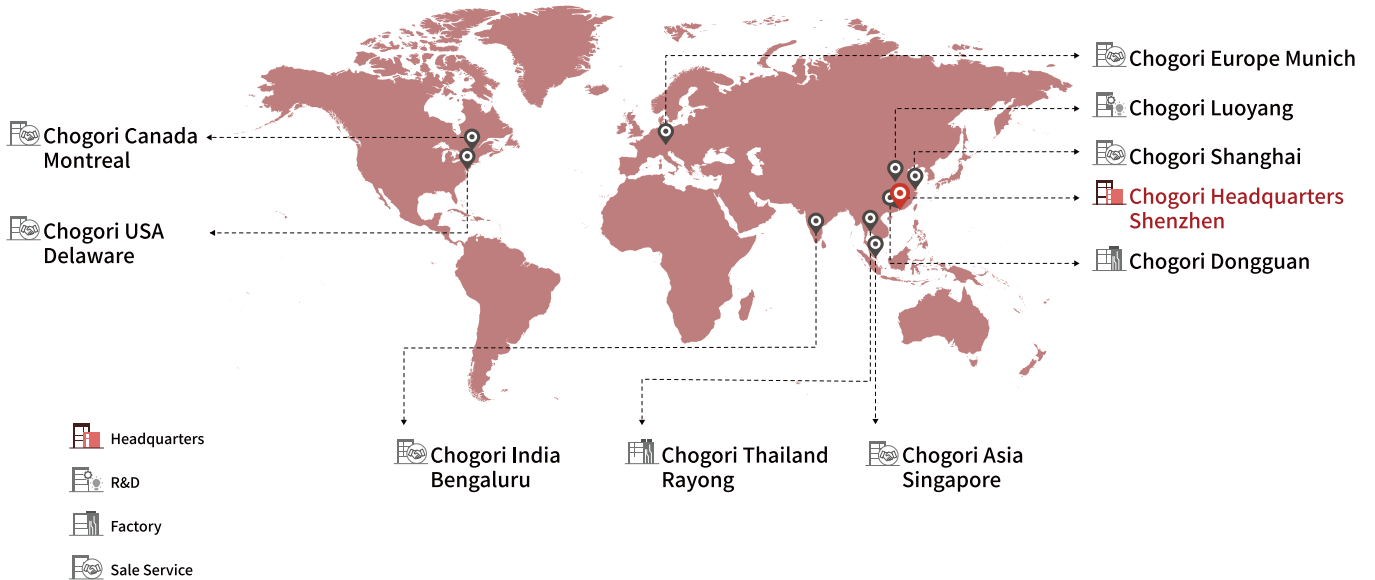
2M Sets  
Monthly Capacity

## About Us

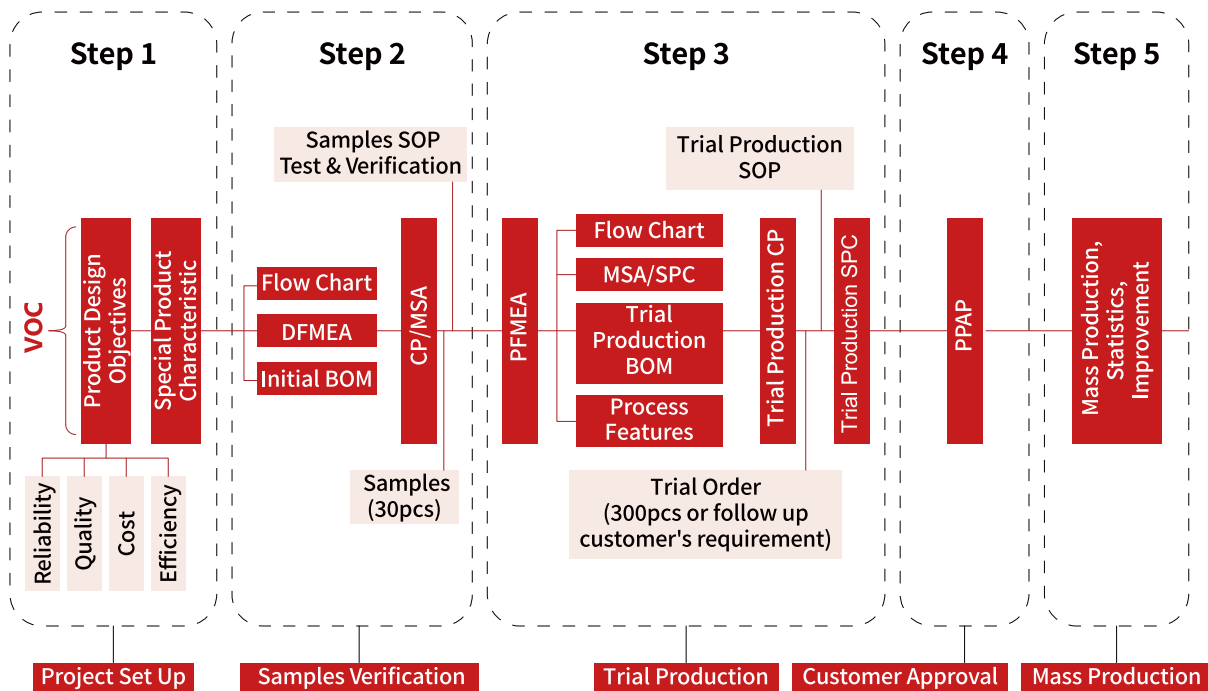
CHOGORI founded in 2007, our products are used in a wide variety of harsh-industrial and outdoor applications in the areas of Electric Scooters, Electric Bicycles, Electric Emerging Markets, Electrical Outdoors, which require connectors and cables to be robust, dust-proof and waterproof.

Chogori has applied Toyota's lean management philosophy since 2013 to improve its operations. We have established International Industry Standard Laboratory, where all products are validated according to USCAR 2, USCAR 37, and DFMEA validation according to specific features required by our customers.

## GLOBAL DISTRIBUTION



## APQP SYSTEM



## INTELLECTUAL PROPERTY

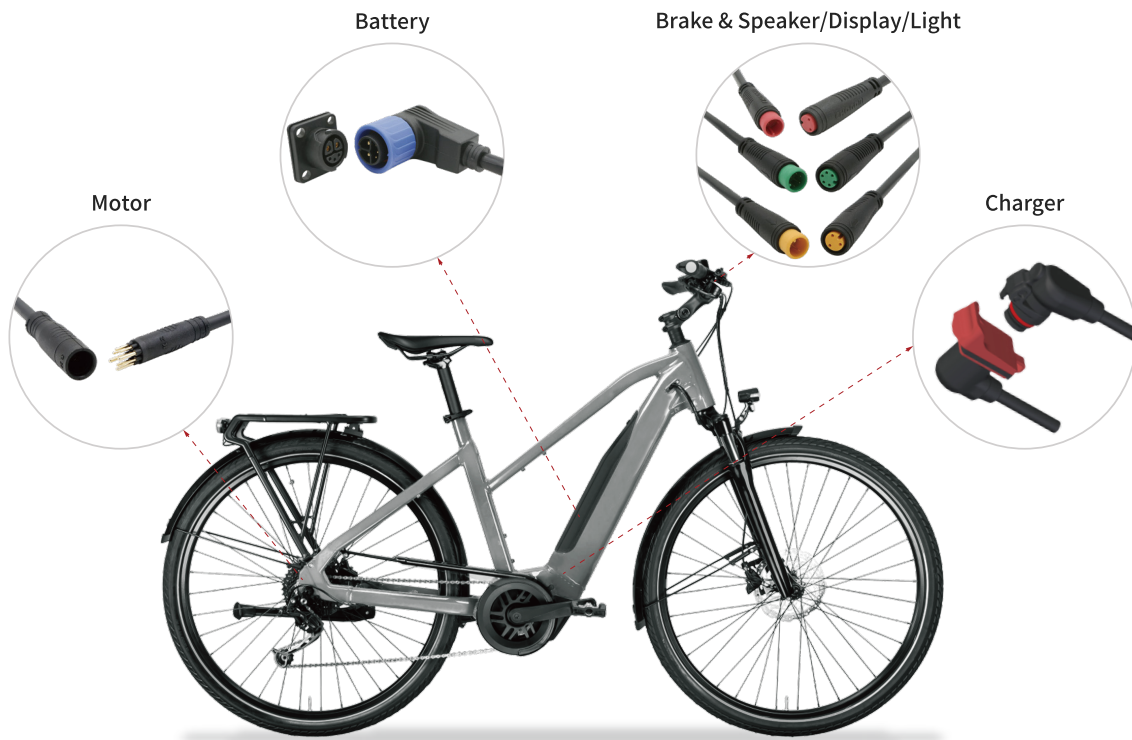
Our company has obtained more than 300 patents (including invention patents, utility model patents and design patents)



Our company has obtained IATF16949, ISO9001, ISO14001 certification, related products have also obtained CE, UL, TUV, 3C.



## CHOGORI CONNECTION SOLUTIONS FOR E-BIKE



# CONTENTS

## Power Connectors

6	AD01 2 Pin (50A)
7	M12 2+3 Pin (20A+2A)
8	Middle 2+3 Pin (20A+5A)
9	Coral 2+6 Pin 90° (15A+2A)

## Motor Connectors

10	Micro-A 2+2 Pin (10A+2A)
11	Dream 3+6 Pin (18A+3A)
12	Dream 3+8 Pin (16A+2A)

## Signal Connectors

13	TX-2 Pin (3A)
14	Pico A 4~6 Pin (2A)
15	Nano 2 Pin (2A)
16	Micro-A 2~6 Pin W/O SR (2A)
17	Micro-A 2~6 Pin SR (2A)
18	Micro-A 2~6 Pin (2A)
19	Micro-C 7 Pin (2A)
20	Dream 8~11 Pin (2A)
21	Micro-D 2+3 Pin (3.5A+2A)
22	Mate05 2+3 Pin (5A+3A)



**CHOGORI**

# AD01 2 Pin (50A)

## APPLICATIONS

For Charging & Discharging Use, Cable to Cable Solution, 2Pin



## ADVANTAGES

- High current for power interface
- Small and compact
- IP67 robust overmold type
- Durable, electrically and mechanically
- Stable connection in vibrating environment
- Blind mating and quick connect

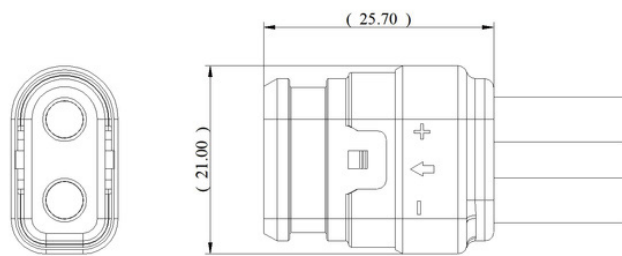
## SPECIFICATIONS

Pin Number: 2Pin  
Rated Current: 50A  
Rated Operating Voltage: 48V AC /60V DC  
Withstand Voltage: 1000V AC  
Insulation Resistance (With Cable): 20MΩ Min@500VDC

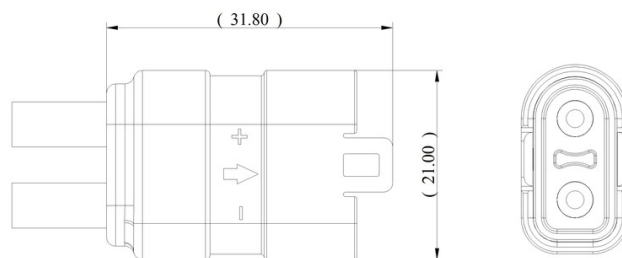
Operating Temperature: -40°C to 105°C  
IP Rating: IP67  
Mechanical Life: 100 Cycles Min (Without Load)  
Contact Material: Copper Alloy, Gold Plated  
Proposed Wire Specification: 10AWG /5.0mm<sup>2</sup>

## DIMENSIONS

Female Plug



Male Plug



# M12 2+3 Pin (20A+2A)

# CHOGORI

## APPLICATIONS

For Charging & Discharging Use, Cable to Cable Solution, 2Pin+3Pin



## ADVANTAGES

- Metal nut reliable connection
- Power & signal hybrid combination
- IP67 robust overmolded type
- Durable, electrically and mechanically
- Stable connection in vibrating environment

## SPECIFICATIONS

Pin Number: 2Pin+3Pin

Rated Current: 20A+2A

Rated Operating Voltage: 48V AC /60V DC

Withstand Voltage: 1000V AC

Insulation Resistance (With Cable): 20MΩ Min@500VDC

Operating Temperature: - 25°C to 85°C

IP Rating: IP67

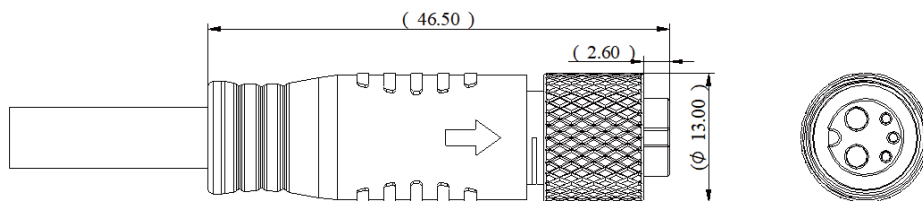
Mechanical Life: 200 Cycles Min (Without Load)

Contact Material: Copper Alloy, Gold Plated

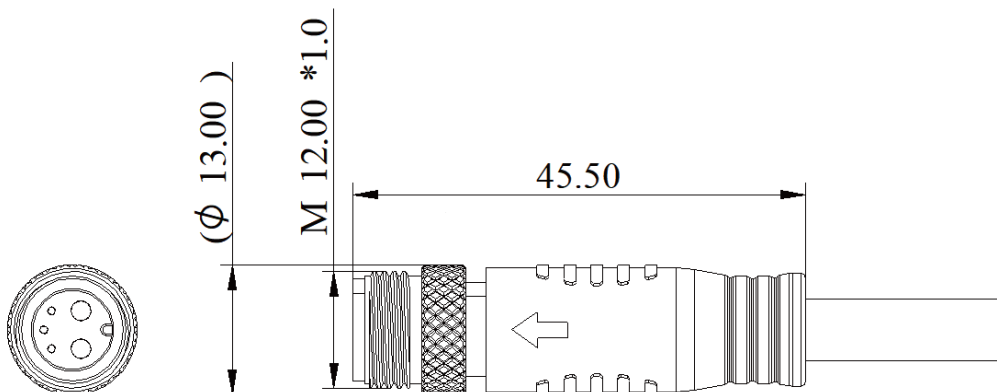
Proposed Wire Specification: 14AWG /2.0mm<sup>2</sup> + 22AWG /0.32mm<sup>2</sup>

## DIMENSIONS

Female Plug



Male Plug





# Middle 2+3 Pin (20A+5A)

# CHOGORI

## APPLICATIONS

For Charging & Discharging Use, Cable to Panel Solution, 2Pin+3Pin



## ADVANTAGES

- Push lock
- Power & signal hybrid combination
- IP67 robust overmolded type
- $\geq 2000$  times mating cycles
- Stable connection in vibrating environment

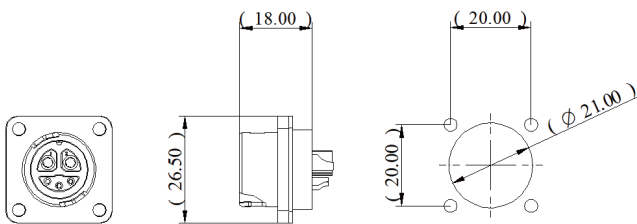
## SPECIFICATIONS

Pin Number: 2Pin+3Pin  
Rated Current: 20A+5A  
Rated Operating Voltage: 210V AC /300V DV  
Withstand Voltage: 2000V AC  
Insulation Resistance (With Cable): 100M $\Omega$  Min@500VDC

Operating Temperature: -40°C to 105°C  
IP Rating: IP67  
Mechanical Life: 2000 Cycles Min (Without Load)  
Contact Material: Copper Alloy, Gold Plated  
Proposed Wire Specification: 14AWG /2.0mm<sup>2</sup> + 22AWG /0.32mm<sup>2</sup>

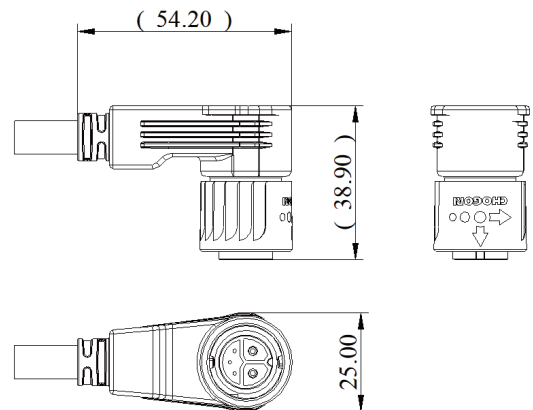
## DIMENSIONS

Female Panel



Recommended panel thickness:  
2mm MAX.

Male Plug



## OPTIONS/ MATING PARTS

Rhombus Shape Receptacle



Receptacle With Overmold



Right Angle Plug Without Lock Nut



Waterproof Cap



# Coral 2+6 Pin 90° (15A+2A)

# CHOGORI

## APPLICATIONS

For Charging & Discharging Use, Cable to Panel Solution, 2Pin+6Pin



## ADVANTAGES

- Quick lock
- Power & signal hybrid combination
- IP67 robust overmolded type
- $\geq 1000$  times mating cycles
- Stable connection in vibrating environment
- Waterproof protective cap

## SPECIFICATIONS

Pin Number: 2Pin+6Pin

Rated Current: 15A+2A

Rated Operating Voltage: 48V AC /60V DC

Withstand Voltage: 500V AC

Insulation Resistance (With Cable): 20M $\Omega$  Min@500VDC

Operating Temperature: -40°C to 85°C

IP Rating: IP67

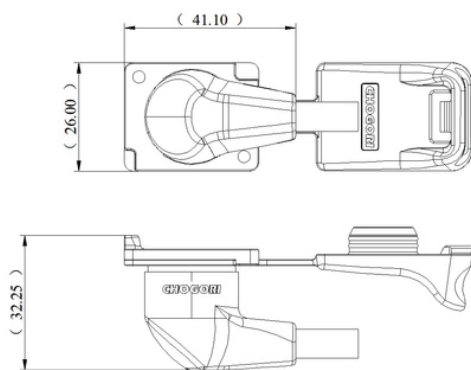
Mechanical Life: 1000 Cycles Min (Without Load)

Contact Material: Copper Alloy, Gold Plated

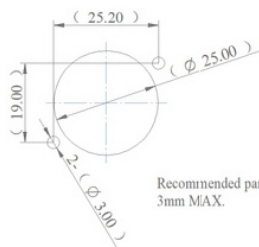
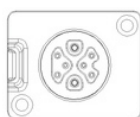
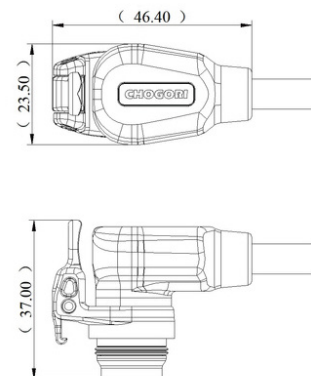
Proposed Wire Specification: 16AWG /1.31mm<sup>2</sup> + 26AWG /0.12mm<sup>2</sup>

## DIMENSIONS

Female Panel With Overmold



Male Plug



Recommended panel thickness:  
3mm MAX.



# Micro-A 2+2 Pin (10A+2A)

# CHOGORI

## APPLICATIONS

For Motor Use, Cable to Panel Solution, 2Pin+2Pin



## ADVANTAGES

- Small and compact
- Power & signal hybrid combination
- IP66 robust overmolded type
- Durable, electrically and mechanically
- Stable connection in vibrating environment

## SPECIFICATIONS

Pin Number: 2Pin+2Pin

Rated Current: 10A+2A

Rated Operating Voltage: 48V AC /60V DC

Withstand Voltage: 700V AC

Insulation Resistance (With Cable): 20M $\Omega$  Min @500VDC

Operating Temperature: -25°C to 80°C

IP Rating: IP66

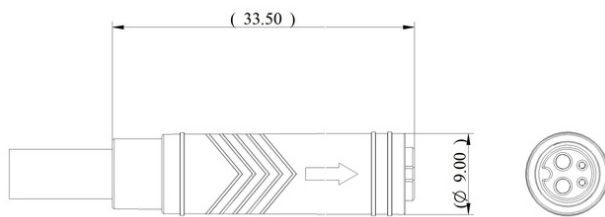
Mechanical Life: 200 Cycles Min (Without Load)

Contact Material: Copper Alloy, Gold Plated

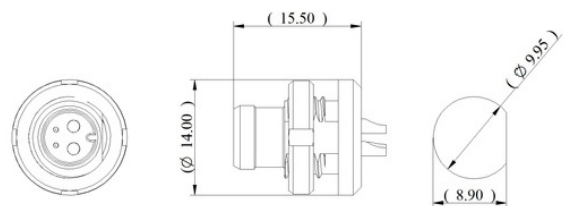
Proposed Wire Specification: 18AWG /0.82mm<sup>2</sup> + 26AWG /0.12mm<sup>2</sup>

## DIMENSIONS

Female Plug



Male Panel



Recommended panel thickness:  
2mm MAX.

## OPTIONS/ MATING PARTS

Rear Type Male Panel

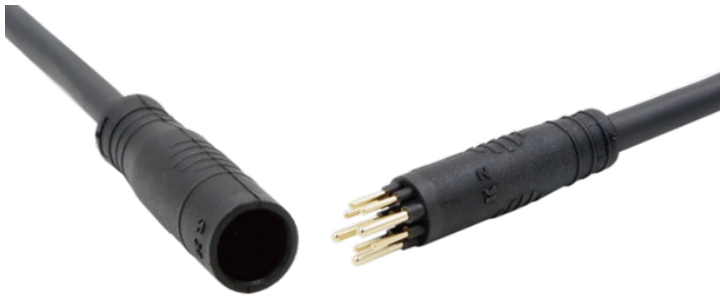


# Dream 3+6 Pin (18A+3A)

# CHOGORI

## APPLICATIONS

For Motor Use, Cable to Cable Solution, 3Pin+ 6Pin



## ADVANTAGES

- Small and compact
- Power & signal hybrid combination
- IP66 robust overmold type
- Durable, electrically and mechanically
- Stable connection in vibrating environment

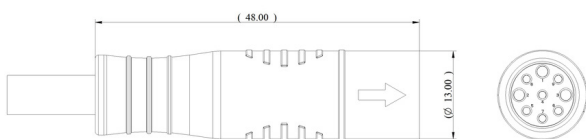
## SPECIFICATIONS

Pin Number: 3Pin+6Pin  
Rated Current: 18A+3A  
Rated Operating Voltage: 48V AC /60V DC  
Withstand Voltage: 700V AC  
Insulation Resistance (With Cable): 20MΩ Min @500VDC

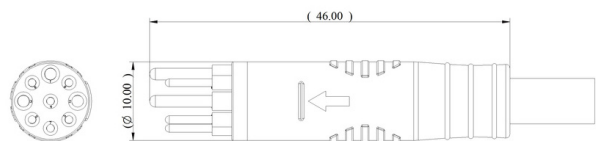
Operating Temperature: - 25°C to 80°C  
IP Rating: IP66  
Mechanical Life: 200 Cycles Min (Without Load)  
Contact Material: Copper Alloy, Gold Plated  
Proposed Wire Specification: 16AWG /1.31mm<sup>2</sup> + 24AWG /0.2mm<sup>2</sup>

## DIMENSIONS

Female Plug



Male Plug



## OPTIONS/ MATING PARTS

Male Plug Dust-Proof Protective Cap



# Dream 3+8 Pin (16A+2A)

# CHOGORI

## APPLICATIONS

For Motor Use, Cable to Cable Solution, 3Pin+8Pin



## ADVANTAGES

- Small and compact
- Power & signal hybrid combination
- IP66 robust overmold type
- Durable, electrically and mechanically
- Stable connection in vibrating environment

## SPECIFICATIONS

Pin Number: 3Pin+8Pin

Rated Current: 16A+2A

Rated Operating Voltage: 48V AC /60V DC

Withstand Voltage: 500V AC

Insulation Resistance (With Cable): 20M $\Omega$  Min@250VDC

Operating Temperature: - 25°C to 80°C

IP Rating: IP66

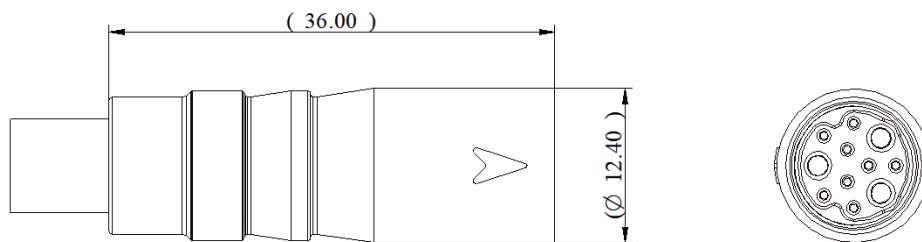
Mechanical Life: 200 Cycles Min (Without Load)

Contact Material: Copper Alloy, Gold Plated

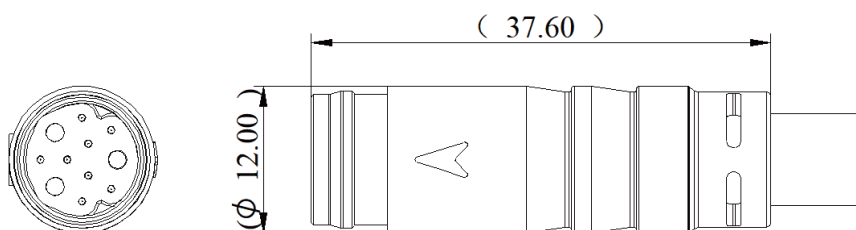
Proposed Wire Specification: 16AWG /1.31mm<sup>2</sup> + 26AWG /0.12mm<sup>2</sup>

## DIMENSIONS

Female Plug



Male Plug



# TX-2 Pin (3A)

## APPLICATIONS

For Signal Use, Cable to Cable Solution, 2Pin



## ADVANTAGES

- Quick lock
- Small and compact
- Allow 360-degree blind insertion
- IP66 robust overmolded type
- Stable connection in vibrating environment
- RoHS, REACH, HF, CP65 compliant

## SPECIFICATIONS

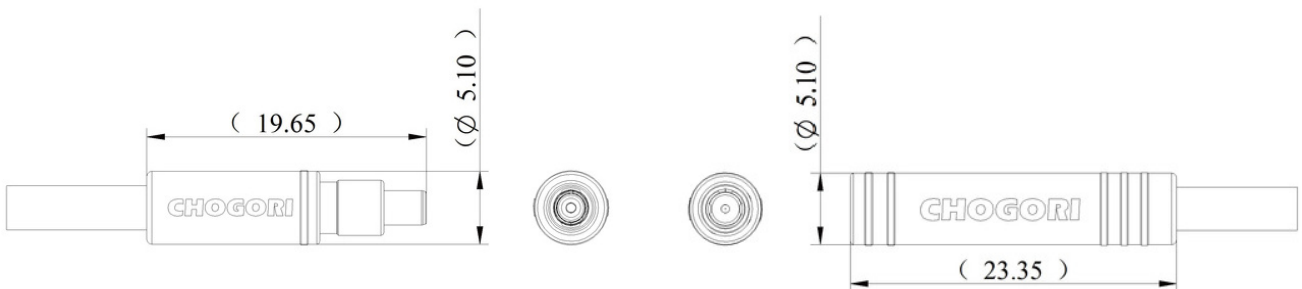
Pin Number: 2Pin  
Rated Current: 3A  
Rated Operating Voltage: 48V AC /60V DC  
Withstand Voltage: 500V AC  
Insulation Resistance (With Cable): 20MΩ Min@500VDC

Operating Temperature: - 25°C to 80°C  
IP Rating: IP66  
Mechanical Life: 200 Cycles Min (Without Load)  
Contact Material: Copper Alloy, Gold Plated  
Proposed Wire Specification: 26AWG /0.12mm<sup>2</sup>

## DIMENSIONS

Female Plug

Male Plug



## OPTIONS/ MATING PARTS

Male Plug Waterproof Protective Cap



# Pico A 4~6 Pin (2A)

# CHOGORI

## APPLICATIONS

For Signal Use, Cable to Cable Solution, 4~6Pin



## ADVANTAGES

- Quick lock
- Small and compact
- Poka-yoke design on contact surface
- IP67 robust overmolded type
- Stable connection in vibrating environment
- RoHS, REACH, HF

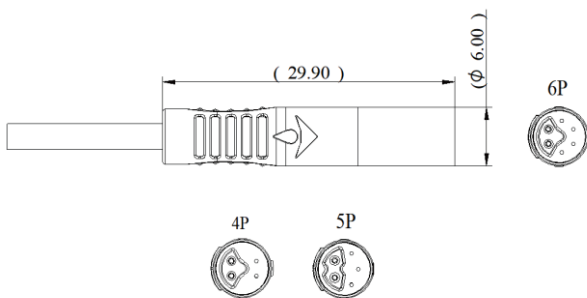
## SPECIFICATIONS

Pin Number: 4~6Pin  
Rated Current: 2A  
Rated Operating Voltage: 48V AC /60V DC  
Withstand Voltage: 500V AC  
Insulation Resistance (With Cable): 10MΩ Min@500VDC

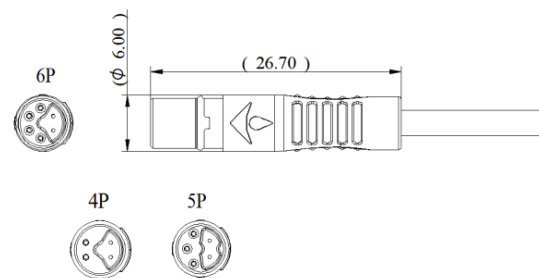
Operating Temperature: - 25°C to 80°C  
IP Rating: IP67  
Mechanical Life: 100 Cycles Min (Without Load)  
Contact Material: Copper Alloy, Gold Plated  
Proposed Wire Specification: 28AWG /0.08mm<sup>2</sup>

## DIMENSIONS

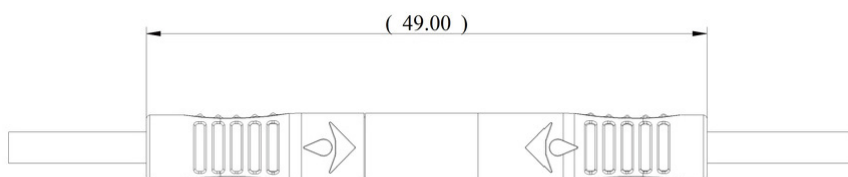
Female Plug



Male Plug



## MATING CONDITION



# Nano 2 Pin (2A)

# CHOGORI

## APPLICATIONS

For Signal Use, Cable to Panel Solution, 2Pin



## ADVANTAGES

- Quick lock
- Small and compact
- Poka-yoke design on contact surface
- IP66 robust overmolded type
- Stable connection in vibrating environment
- RoHS, REACH, HF

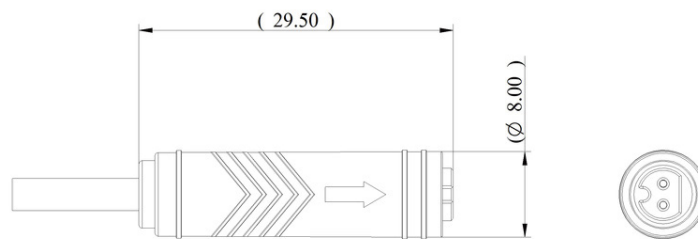
## SPECIFICATIONS

Pin Number: 2Pin  
Rated Current: 2A  
Rated Operating Voltage: 48V AC /60V DC  
Withstand Voltage: 500V AC  
Insulation Resistance (With Cable): 20MΩ Min@500VDC

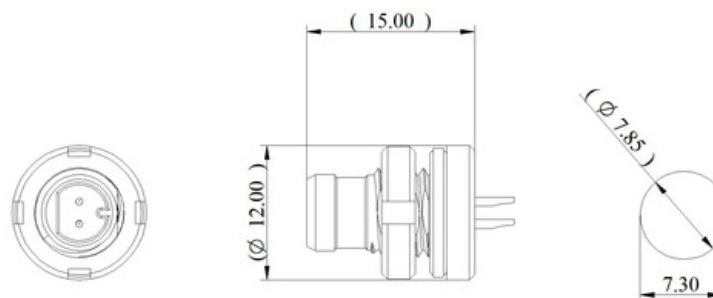
Operating Temperature: -25°C to 80°C  
IP Rating: IP66  
Mechanical Life: 200 Cycles Min (Without Load)  
Contact Material: Copper Alloy, Gold Plated  
Proposed Wire Specification: 26AWG /0.12mm<sup>2</sup>

## DIMENSIONS

Female Plug



Male Panel



Recommended panel thickness:  
2mm MAX.



# Micro-A 2~6 Pin W/O SR (2A)

# CHOGORI

## APPLICATIONS

For Signal Use, Cable to Cable Solution, 2~6Pin (W/O SR)



## ADVANTAGES

- Quick lock
- Small and compact
- Poka-yoke design on contact surface
- IP66 robust overmolded type
- Stable connection in vibrating environment
- RoHS, REACH, HF

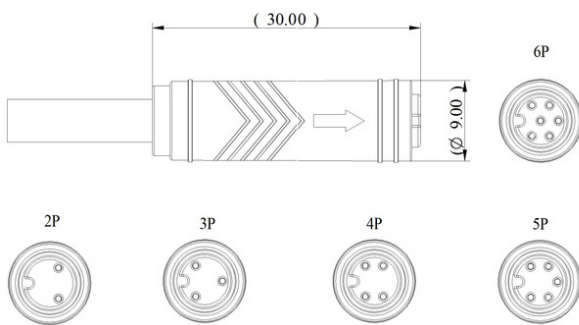
## SPECIFICATIONS

Pin Number: 2~6Pin  
Rated Current: 2A  
Rated Operating Voltage: 48V AC /60V DC  
Withstand Voltage: 500V AC  
Insulation Resistance (With Cable): 20M $\Omega$  Min@500VDC

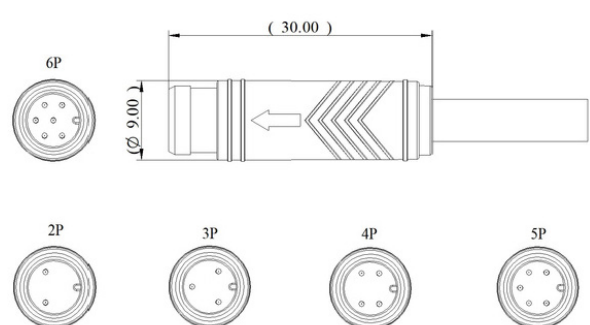
Operating Temperature: -25°C to 80°C  
IP Rating: IP66  
Mechanical Life: 200 Cycles Min (Without Load)  
Contact Material: Copper Alloy, Gold Plated  
Proposed Wire Specification: 26AWG /0.12mm<sup>2</sup>

## DIMENSIONS

Female Plug

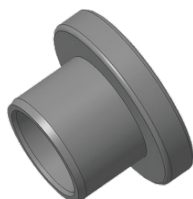


Male Plug



## OPTIONS/ MATING PARTS

Female Plug Protective Cap



Male Plug Protective Cap



# Micro-A 2~6 Pin With SR (2A)

# CHOGORI

## APPLICATIONS

For Signal Use, Cable to Cable Solution, 2~6Pin (With SR)



## ADVANTAGES

- Quick lock
- Small and compact
- Poka-yoke design on contact surface
- IP66 robust overmolded type
- Stable connection in vibrating environment
- RoHS, REACH, HF

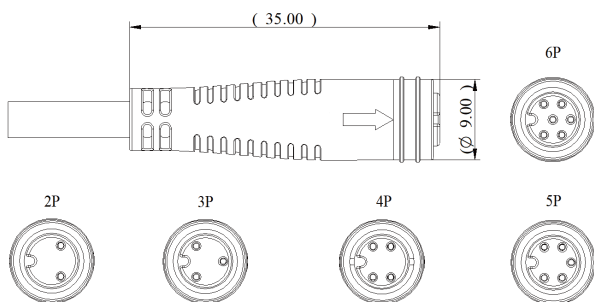
## SPECIFICATIONS

Pin Number: 2~6Pin  
Rated Current: 2A  
Rated Operating Voltage: 48V AC /60V DV  
Withstand Voltage: 500V AC  
Insulation Resistance (With Cable): 20MΩ Min@500VDC

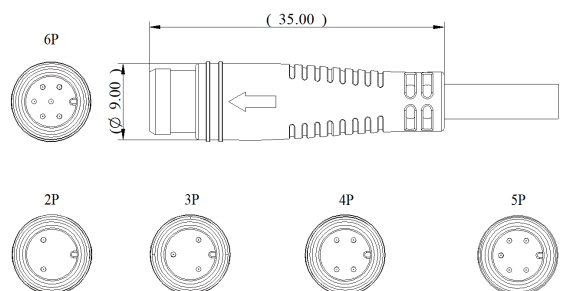
Operating Temperature: - 25°C to 80°C  
IP Rating: IP66  
Mechanical Life: 200 Cycles Min (Without Load)  
Contact Material: Copper Alloy, Gold Plated  
Proposed Wire Specification: 26AWG /0.12mm<sup>2</sup>

## DIMENSIONS

Female Plug

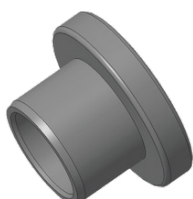


Male Plug



## OPTIONS/ MATING PARTS

Female Plug Protective Cap



Male Plug Protective Cap



# Micro-A 2~6 Pin (2A)

# CHOGORI

## APPLICATIONS

For Signal Use, Panel Connector, 2~6Pin



## ADVANTAGES

- Quick lock
- Small and compact
- Poka-yoke design on contact surface
- IP66 robust overmolded type
- Stable connection in vibrating environment
- RoHS, REACH, HF

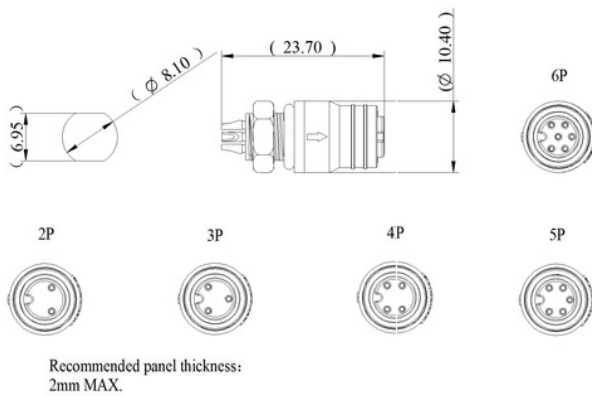
## SPECIFICATIONS

Pin Number: 2~6Pin  
Rated Current: 2A  
Rated Operating Voltage: 48V AC /60V DC  
Withstand Voltage: 500V AC  
Insulation Resistance (With Cable): 20MΩ Min@500VDC

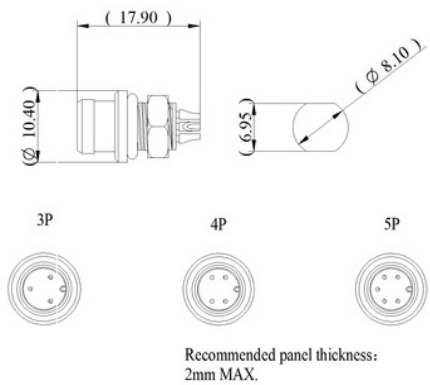
Operating Temperature: - 25°C to 80°C  
IP Rating: IP66  
Mechanical Life: 200 Cycles Min (Without Load)  
Contact Material: Copper Alloy, Gold Plated  
Proposed Wire Specification: 26AWG /0.12mm<sup>2</sup>

## DIMENSIONS

Female Panel

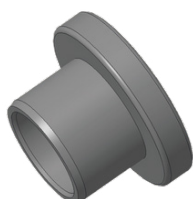


Male Panel



## OPTIONS/ MATING PARTS

Female Panel Protective Cap



Male Panel Protective Cap



# Micro-C 7 Pin (2A)

## APPLICATIONS

For Signal Use, Cable to Cable Solution, 7Pin



## ADVANTAGES

- Quick lock
- Small and compact
- Poka-yoke design on contact surface
- IP66 robust overmolded type
- Stable connection in vibrating environment
- RoHS, REACH

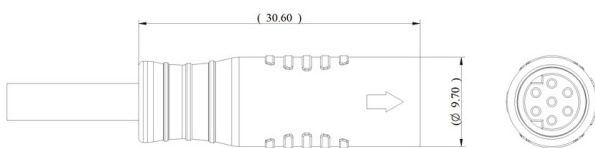
## SPECIFICATIONS

Pin Number: 7Pin  
Rated Current: 2A  
Rated Operating Voltage: 48V AC /60V DC  
Withstand Voltage: 500V AC  
Insulation Resistance (With Cable): 20M $\Omega$  Min@500VDC

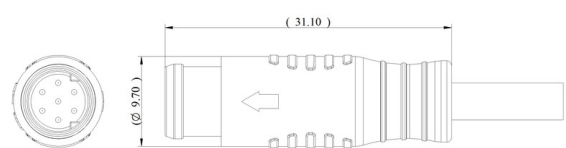
Operating Temperature: -25°C to 80°C  
IP Rating: IP66  
Mechanical Life: 200 Cycles Min (Without Load)  
Contact Material: Copper Alloy, Gold Plated  
Proposed Wire Specification: 26AWG Max /0.12mm<sup>2</sup>

## DIMENSIONS

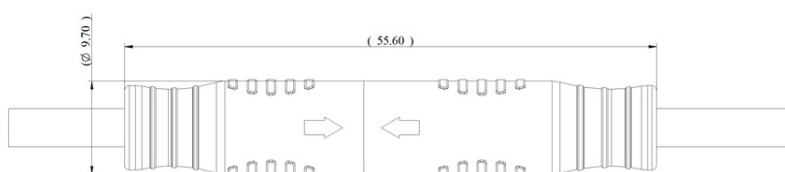
Female Plug



Male Plug



## MATING CONDITION



# Dream 8~11 Pin (2A)

# CHOGORI

## APPLICATIONS

For Signal Use, Cable to Cable Solution, 8~11Pin



## ADVANTAGES

- Quick lock
- Small and compact
- Poka-yoke design on contact surface
- IP67 robust overmolded type
- Stable connection in vibrating environment
- RoHS, REACH

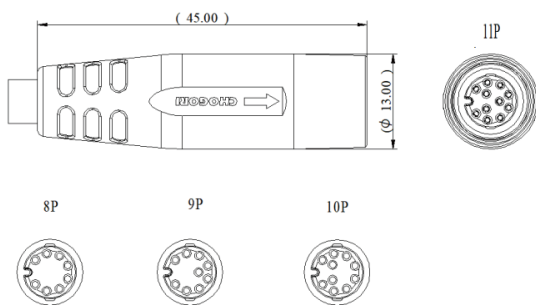
## SPECIFICATIONS

Pin Number: 8~11Pin  
Rated Current: 2A  
Rated Operating Voltage: 48V AC /60V DV  
Withstand Voltage: 250V AC  
Insulation Resistance (With Cable): 20MΩ Min@500VDC

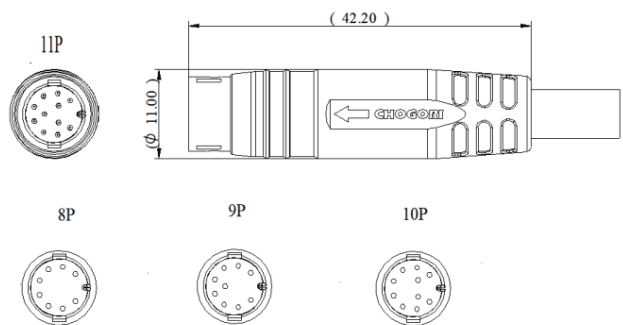
Operating Temperature: - 25°C to 80°C  
IP Rating: IP67  
Mechanical Life: 200 Cycles Min (Without Load)  
Contact Material: Copper Alloy, Gold Plated  
Proposed Wire Specification: 26AWG /0.12mm<sup>2</sup>

## DIMENSIONS

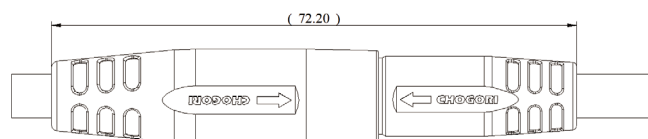
Female Plug



Male Plug



## MATING CONDITION



# Micro-D 2+3 Pin (3.5A+2A)

# CHOGORI

## APPLICATIONS

For Signal Use, Cable to Cable Solution, 2Pin+3Pin



## ADVANTAGES

- Quick lock
- Small and compact
- Poka-yoke design on contact surface
- IP66 robust overmolded type
- Stable connection in vibrating environment
- RoHS, REACH, HF,CP65

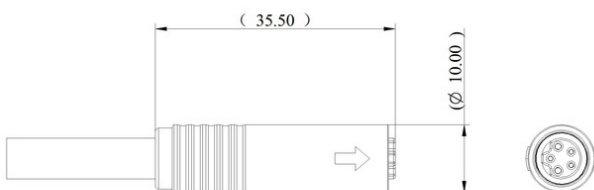
## SPECIFICATIONS

Pin Number: 2Pin+3Pin  
Rated Current: 3.5A+2A  
Rated Operating Voltage: 48V AC /60V DC  
Withstand Voltage: 500V AC  
Insulation Resistance (With Cable): 20MΩ Min@500VDC

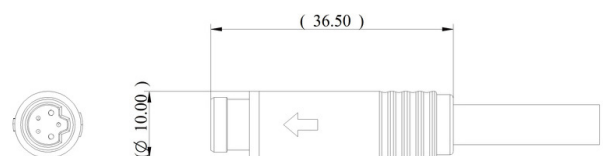
Operating Temperature: -20°C to 70°C  
IP Rating: IP66  
Mechanical Life: 200 Cycles Min (Without Load)  
Contact Material: Copper Alloy, Gold Plated  
Proposed Wire Specification: 22AWG /0.32mm<sup>2</sup> + 24AWG /0.2mm<sup>2</sup>

## DIMENSIONS

Female Plug



Male Plug



## OPTIONS/ MATING PARTS

Female Plug Protective Cap



# Mate05 2+3 Pin (5A+3A)

# CHOGORI

## APPLICATIONS

For Signal Use, Cable to Cable Solution, 2Pin+3Pin



## ADVANTAGES

- Push lock
- Small and compact
- Poka-yoke design on contact surface
- IP67 robust overmolded type
- Stable connection in vibrating environment
- RoHS, REACH

## SPECIFICATIONS

Pin Number: 2Pin+3Pin

Rated Current: 5A+3A

Rated Operating Voltage: 48V AC /60V DC

Withstand Voltage: 500V AC

Insulation Resistance (With Cable): 20MΩ Min@500VDC

Operating Temperature: - 40°C to 105°C

IP Rating: IP67

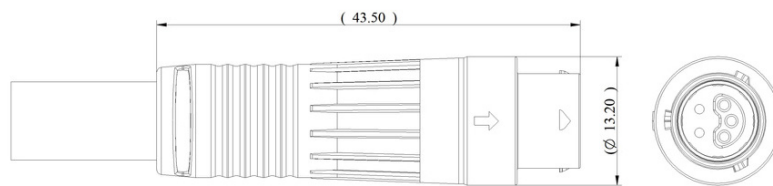
Mechanical Life: 500 Cycles Min (Without Load)

Contact Material: Copper Alloy, Gold Plated

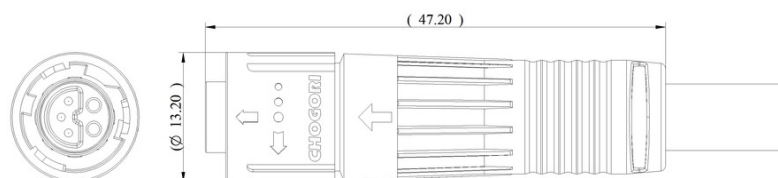
Proposed Wire Specification: 20AWG /0.5mm<sup>2</sup> + 24AWG /0.2mm<sup>2</sup>

## DIMENSIONS

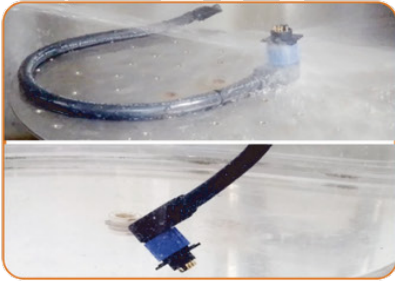
Female Plug



Male Plug



## HIGH RELIABILITY CONNECTION SYSTEM



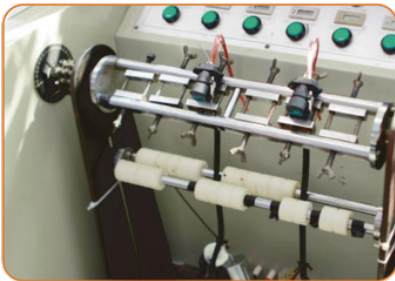
Waterproof test



Vibration test



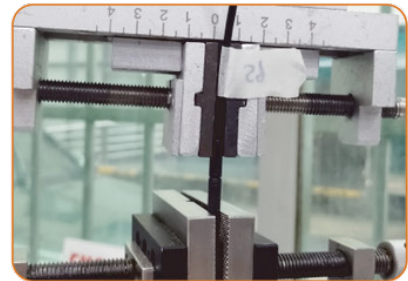
Thermal shock test



Wire bending test



Mating cycle test



Mate and unmate force test



Temperature rise test



CNC machine



Automatic assembly machine



Lean factory



U-shaped production line



Display





Chogori Technology Co., Ltd  
Building E, Zhonggangxing Industrial Zone, Zhangge Village,  
Longhua District, Shenzhen, China.  
[www.chogori-tech.com](http://www.chogori-tech.com)

Discover our complete range of connector applications

