

机械性能

MECHANICAL PROPERTIES



- 机械寿命: 空载拔插 > 10000次
Mechanical life: no-load plug in/pull out > 10000 times
- 耦合时的插拔力: > 45N < 80N
Coupled insertion force: > 45N < 80N
- 抗冲击力: 可承受1米高度跌落与2吨车辆碾压压力
Impact of external force: can afford 1m drop and 2t vehicle run over pressure

电气性能

ELECTRICAL PERFORMANCE



- 额定工作电流: 16A/32A/63A
Rated current: 16A/32A/63A
- 工作电压: 250V/440V
Operating voltage: 250V/440V
- 绝缘电阻: > 1000mΩ (DC500V)
Insulation resistance: > 1000MΩ (DC500V)
- 端子温升: < 50K
Terminal temperature rise: < 50K
- 耐压: 2000V
Withstand voltage: 2000V
- 接触阻抗: 0.5mΩ Max
Contact Resistance: 0.5mΩ Max

环境性能

ENVIRONMENTAL PERFORMANCE



- 工作环境温度: -30°C ~ +50°C
Operating temperature: -30°C ~ +50°C

产品特点 FEATURES

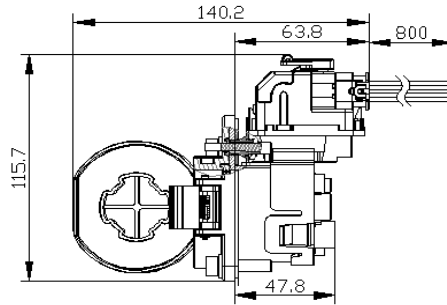
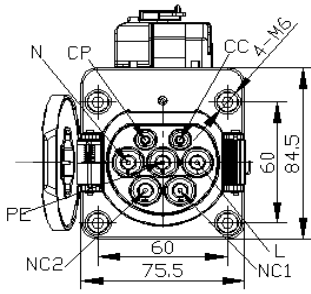
- 符合GB/T 20234.2-2015规定及要求
Meet GB/T 20234.2-2015 regulations and requirements
- 充电插座插孔采用乔合里发明专利扭簧插孔, 温升低, 插拔柔顺, 插拔寿命达到10000次以上
The charging socket use CHOGORI patent NEWSOK, low temperature, plugs quickly, plug life reached more than 10000 times
- 外形美观, 手持式设计符合人体工程学原理, 插拔便捷
Nice appearance, hand-held ergonomic design, easy plug
- 插针头部采用安全绝缘设计, 防止人手意外直接接触
Safety pins insulated head design to prevent accidental direct contact with staff (working condition)
- 外形美观, 防护盖可以左打开或者右打开
Nice appearance, left or right flip protection
- 可靠性材料, 阻燃、耐压、耐磨、耐冲击、高抗油
Reliability of materials, antflaming, pressure-resistant, abrasion resistance, impact resistance and high oil
- 优越防护性能, 防护等级达到IP55(工作状态)
Excellent protection performance, protection grade IP55

材料应用 APPLIED MATERIALS

- 外壳材料: 热塑性塑料, 阻燃等级UL94V-0
Case Material: Thermoplastic, flame retardant grade UL94-0
- 插针: 铜合金, 表面镀银+顶部热塑性塑料
Pin: Copper alloy, silver+thermoplastic on the top
- 插套: 铜合金, 表面镀银
Contact bush: copper alloy, silver plating



结构 STANDARD CIRCUIT CONFIGURATIONS



交流充电插座
AC charging socket

行业应用 APPLICATIONS

乔合里充电连接器拥有核心发明专利——大电流高压端子Newsok，产品的创新设计和优越的性能，和可靠的质量受到了各专家用户一致认同和好评。
With the core invention patent— high-current Newsok, Chogori charging connectors enjoy a very sound reputation among professors/clients for the innovative design, outstanding performance and reliable quality.



用于新能源汽车上
Used for new energy vehicles

